

HydraLink	USB to Automotive Ethernet Interface
	<p>features:</p> <ul style="list-style-type: none"> <li>▪ USB 3.0 Gen 1 to Gigabit Ethernet (100/1000)</li> <li>▪ Supports 100BASE-T1/1000BASE-T1 over single twisted pair</li> <li>▪ Driver Support for Windows and Linux</li> <li>▪ Commercial Temperature Range: 0° to 70°</li> <li>▪ 2.54 mm Pin Header</li> </ul>

## description

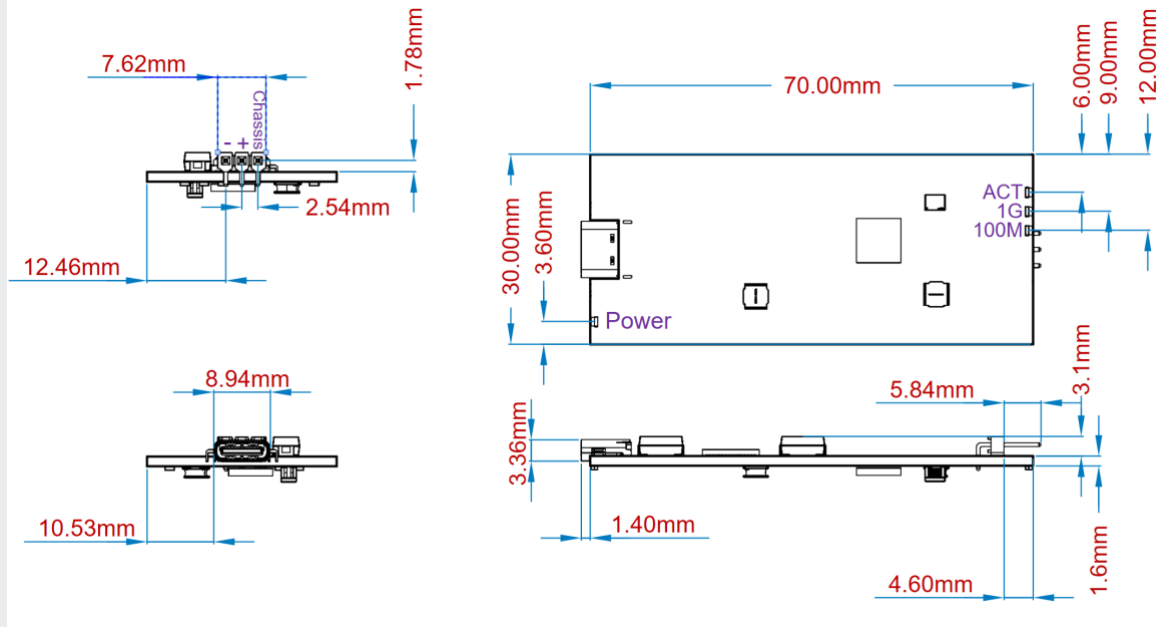
HydraLink is a high-performance, reliable, and user-friendly USB to Automotive Ethernet interface. HydraLink serves as a versatile USB to automotive Ethernet adapter, engineered to support the most pertinent automotive Ethernet standards for car hackers and developers.

## technical specifications

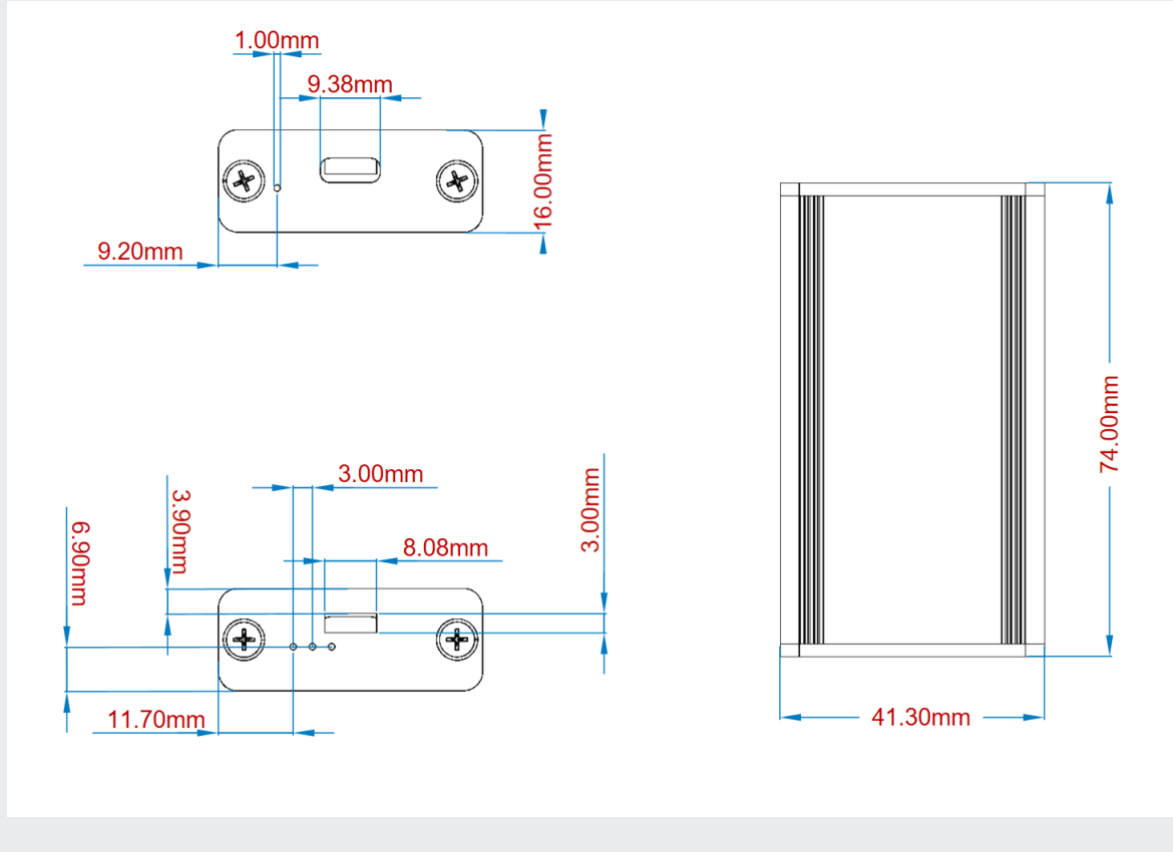
Spec	Value
L x W x H:	74 x 41 x 16 mm
Weight:	55 g
Operating Temperature:	0°C to +70°C
Automotive Ethernet Speed:	100 / 1000 Mbit/s Full Duplex
USB Interface:	3 Gen 1
Supply Voltage:	5V via USB Interface (no external power needed)
LEDs:	Link Activity and Link Speed Indication

## technical drawing

### PCB dimensions



### Box dimensions



# DATASHEET



## ordering information

Part No.	Variant
dHLi-BOX-1	Boxed
dHLi-DEV-1	Devboard PCB Only