


HydraHat	Dual CAN FD to Ethernet Interface
	<p>features:</p> <ul style="list-style-type: none"> ▪ Dual CAN FD Support with bitrate up to 5 Mbps ▪ 100 Mbps Ethernet interface ▪ Supply voltage range of 6V to 24V ▪ Optional Power over Ethernet ▪ Precise time stamps for received CAN frames with a resolution of 1 microsecond (1µs) ▪ Straightforward integration into existing CAN bus and Ethernet network

description

The dissecto HydraHat is a high-performance device that seamlessly connects your Controller Area Network (CAN) to an Ethernet network, providing reliable and efficient data communication. With its advanced features and robust design, this gateway is the perfect solution for bridging the gap between your CAN-based systems and Ethernet infrastructure.

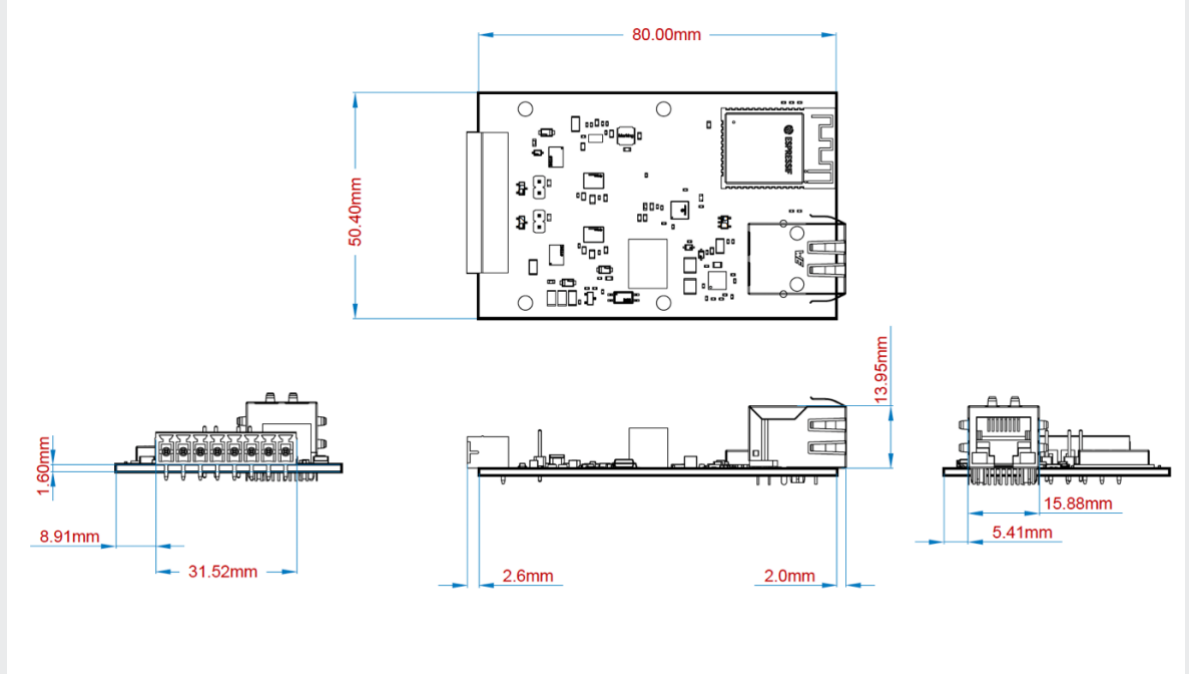
technical specifications

	Spec	Value
	L x W x H:	80 x 80 x 30 mm
	Weight:	72 g
	Operating Temperature:	-40°C to +85°C
	Ethernet Speed:	100 Mbps
	Timestamp resolution:	1µs
	Supply Voltage:	6V – 24V DC
	PoE Support:	optional

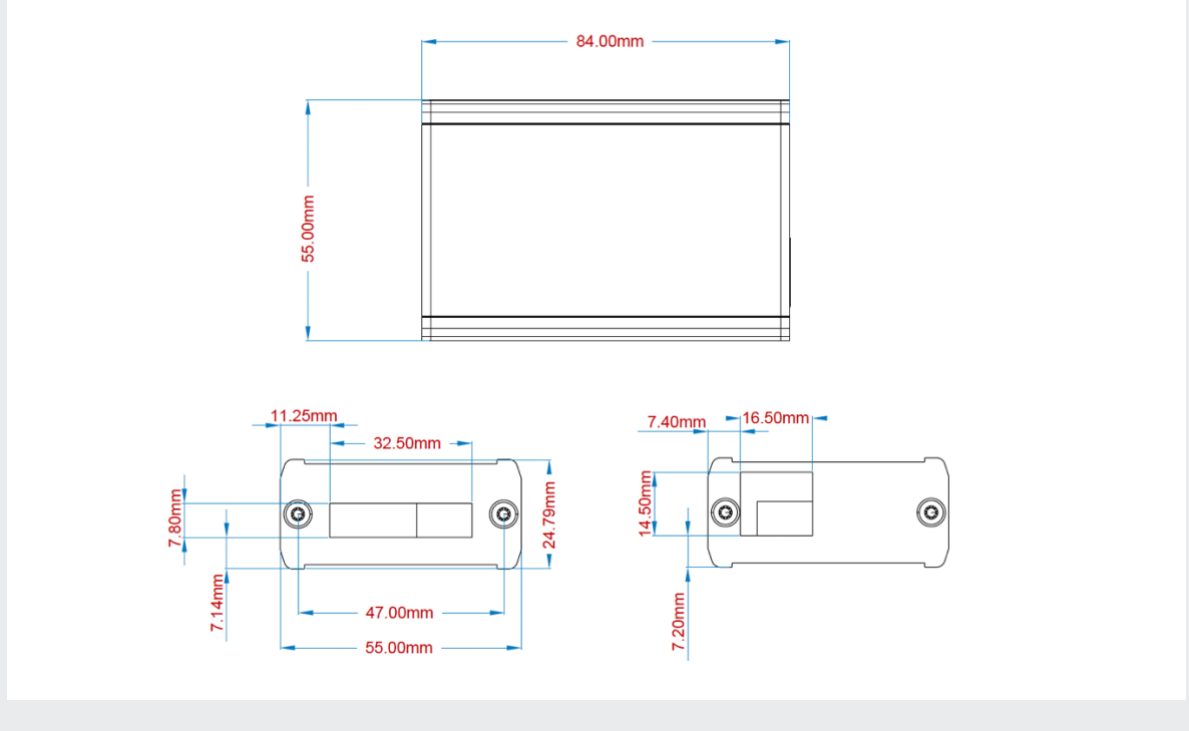


technical drawing

PCB dimensions



Box dimensions



ordering information

DATASHEET



Part No.	Variant
dHHat-BOX-1	Boxed
dHHat-DEV-1	Devboard PCB Only