

HydraLink

USB to Automotive Ethernet Interface



features:

- USB 3.0 Gen 1 to Gigabit Ethernet (100/1000)
- Supports 100BASE-T1/1000BASE-T1 over single twisted pair
- Driver Support for Windows and Linux
- Commercial Temperature Range: 0° to 70°
- 2.54 mm Pin Header

description

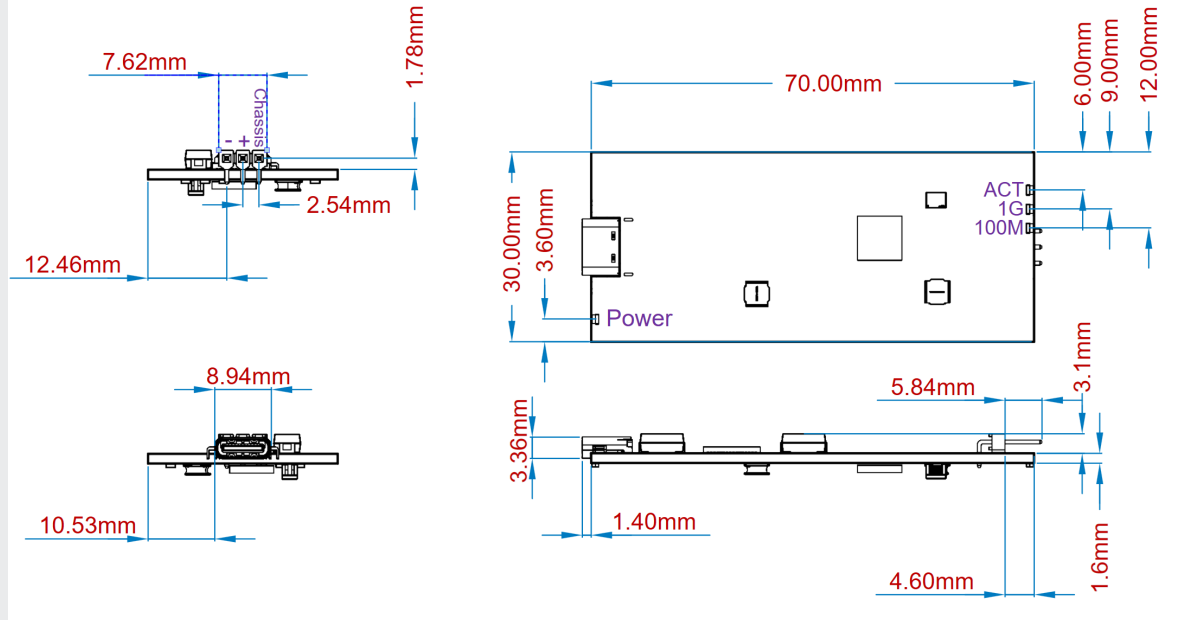
HydraLink is a high-performance, reliable, and user-friendly USB to Automotive Ethernet interface. HydraLink serves as a versatile USB to automotive Ethernet adapter, engineered to support the most pertinent automotive Ethernet standards for car hackers and developers.

technical specifications

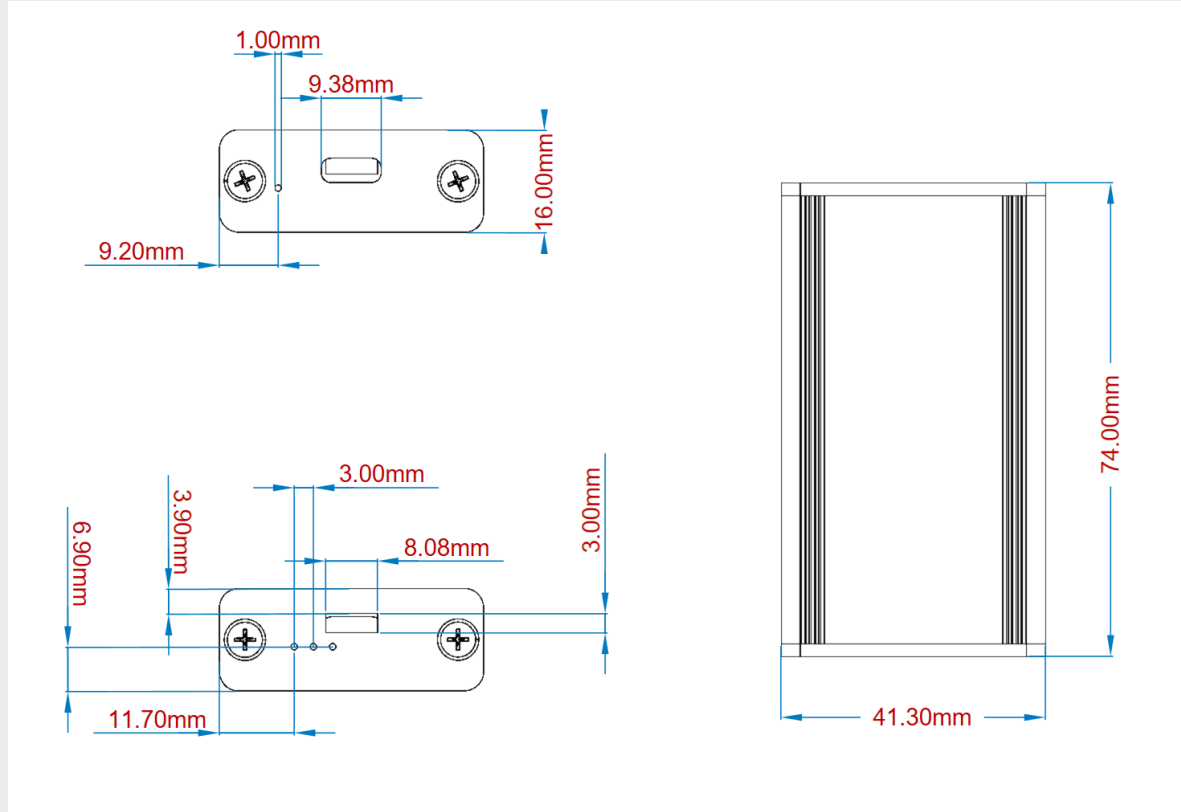
Spec	Value
L x W x H:	74 x 41 x 16 mm
Operating Temperature:	0°C to +70°C
Automotive Ethernet Speed:	100 / 1000 Mbit/s Full Duplex
USB Interface:	3 Gen 1
Supply Voltage:	5V via USB Interface (no external power needed)
LEDs:	Link Activity and Link Speed Indication

technical drawing

PCB dimensions



Box dimensions



ordering information

Part No.	Variant
dHLi-BOX-1	Boxed
dHLi-DEV-1	Devboard PCB Only